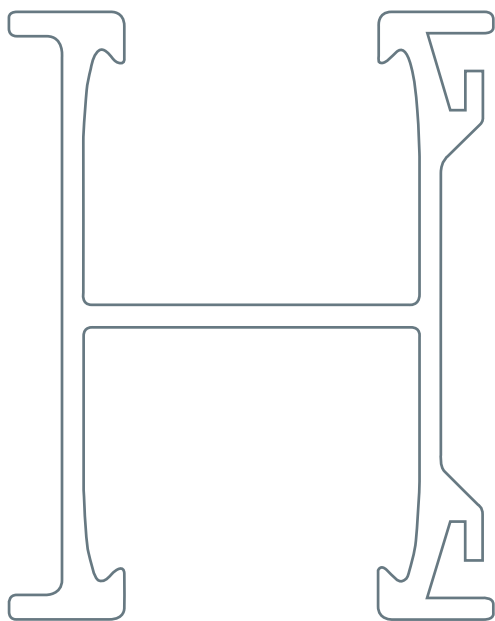


# LM-R42



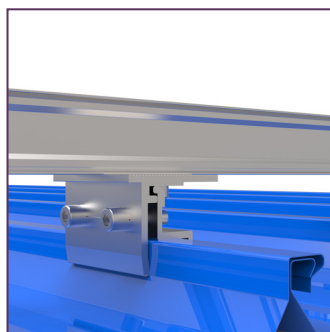
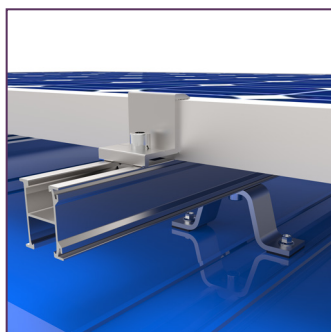
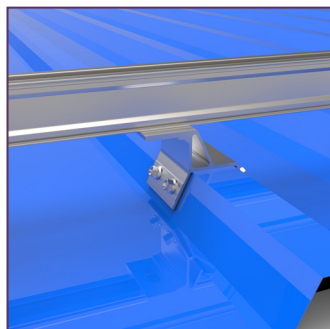
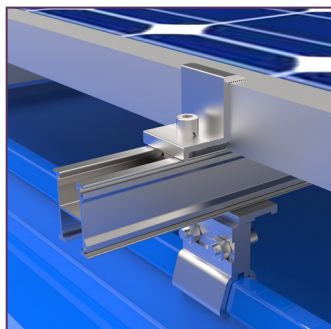
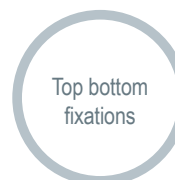
## Specifications

- ✓ Part Nr: LM-R42
- ✓ Aluminium 6063-T6
- ✓ Can be supplied as AL 6005-T5 or anodized on special order

## Features

- ✓ Top-Bottom fix aluminium rail system with range of accessories
- ✓ Good span capability up to 2m depending on loading conditions
- ✓ Durable, non-corrosive material
- ✓ Compatible grounding/bonding inserts, mid- and end clamps, rail splices, rail nuts, cross connectors and angle brackets
- ✓ Compatible with various roof brackets

## Application



## Dimensions



H 42mm x W 34mm

658g/m

### Length:

- 3.15m
- 4.15m
- 5.15m
- 6.2m
- Custom

Lumax Energy  
Tel: +27 10 140 4933  
Email: [energy@lumax.co.za](mailto:energy@lumax.co.za)

Address: Unit #3 - Summit Square 1,  
347 Roan Crescent, Corporate Park North,  
Midrand

[www.lumaxenergy.co.za](http://www.lumaxenergy.co.za)

