

LM-Z



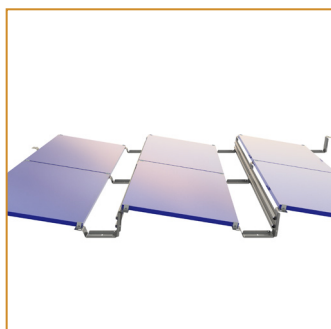
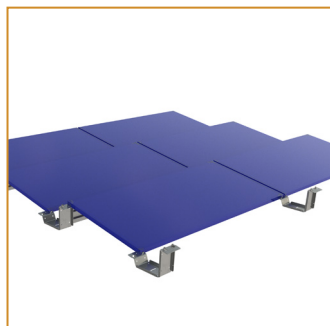
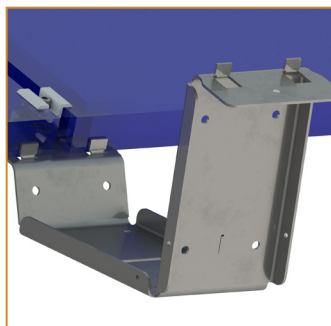
Specifications

- ✓ Part Nr: LM-Z-10, LM-Z-15
- ✓ Material: Mild Steel
- ✓ Hot Dip Galvanizing > 60µm

Features

- ✓ North facing 10°/15° tilt or custom
- ✓ Ballast mounting solution: No penetration on concrete roof
- ✓ Fast and easy install
- ✓ Durable materials
- ✓ Direct mounting
- ✓ Good ventilation
- ✓ Short side clamping with standard Lumax module clamps
- ✓ Easy panel alignment utilising tabs
- ✓ EPDM sheet available if roof protection is required
- ✓ Optional wind shields available if required
- ✓ Aluzinc coated wind shields available if required

Application



Dimensions



H 256mm x L 450mm x
W 143mm

Lumax Energy
Tel: +27 10 140 4933
Email: energy@lumax.co.za

Address: Unit #3 - Summit Square 1,
347 Roan Crescent, Corporate Park North,
Midrand

www.lumaxenergy.co.za

Lumax
ENERGY